

## WITA Servomotors SM W05/10

### Product description

The WITA servomotors series "W05" and "W10" are used to drive rotary mixers, valves and ball valves. Their modern construction and the top quality of the used materials ensure reliable and silent operation.

Assembly and disassembly can be done without use of tools by pressing the mounting button. By pressing the release button for hand-shift each position can be manually adjusted. During the operation the direction will be signaled by a LED-display.



### Technical equipment

- Torque 5 Nm, 10 Nm or 15 Nm
- rotation angle 90 °
- Rotational speed 2 min / 90 <° (option 15 sec, 30 sec, 1 min, 4 min and 8 min / 90 <°)
- Additional switch possible as an option
- 2-point, 3-point or proportional mode
- suitable for the construction of rotary mixers
- Display of the current valve position
- Direction of rotation indication by LEDs
- no damage to the servomotor when the valve is blocked
- Possibility of manual adjustment of the mixer in a possible position by permanent coupling
- silent and reliable operation
- Maintenance free
- easy and quick installation without tools

### Technical data

	5 Nm	10 Nm	15 Nm
Torque:	5 Nm	10 Nm	15 Nm
Rotation angle:	90 <°		
Turning speed:	2 min / 90<° (15 Sek 90<°, 30 Sek / 90<°, 1 Min / 90<°, 4 Min / 90<°, 8 Min / 90<°)		
Operating mode:	2-point (230 V-, 50 Hz / 24 V-, 50 Hz) 3-point (230 V-, 50 Hz / 24 V-, 50 Hz) Proportional 0 (2) - 10V (24 V ac/dc) / 0 (4) - 20mA (24 V ac/dc)		
Additional switch:	adjustable 0-90<° (250 V-, 3 A)		
Temperature range:	0-50 °C		
Rated power:	2,5-4 VA		
Protection:	Protection class II, protection class IP42		
Dimensions (W × L × H):	84 × 102 × 91 mm		
Weight:	390-630 g	600-860 g	600-860 g
Color / Material:	dark gray / PC		

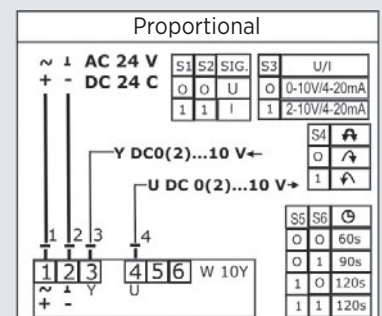
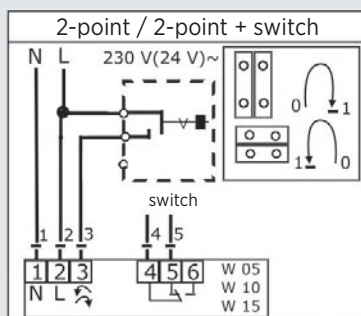
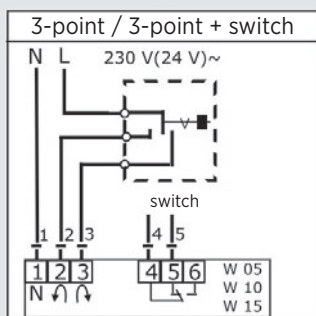


# WITA Servomotors SM W05/10

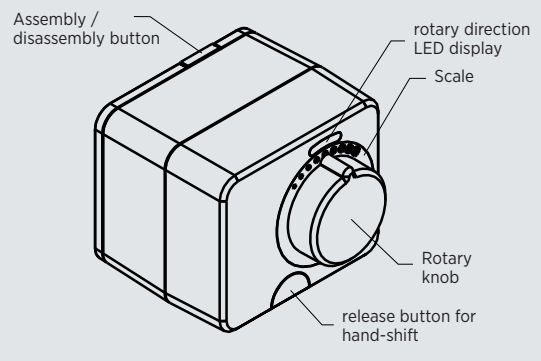
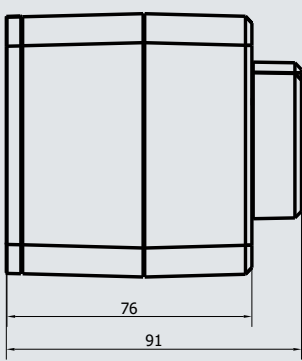
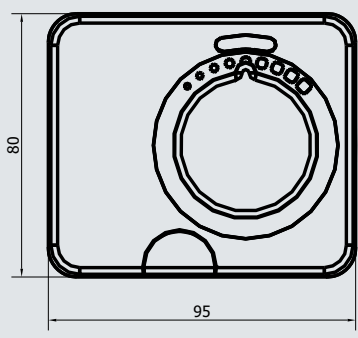
## Variants mounting kits

- Esbe, Seltron, Somatherm, Hora, PAW, WITA, Acaso, BRV, IMIT, Ivar, Hoval, Olymp
  - Siemens VBI, VBF
  - Meibes
  - Esbe VRG
  - PAW K32, K33, K34
  - Danfoss HRB3
  - Ball valve ISO5211, F03, L (9 mm)
  - Ball valve ISO5211, F03, L (11 mm)
  - Ball valve Belimo R2..xx-S.., F04, L (10 mm)
  - Herz MV3P, MV4P
  - Honeywell V544-543
- Mounting kits for other valves on request.

## Electrical connection



## Dimensions



## Compliance with guidelines and standards

- The servomotors comply with the following guidelines and standards:
- LVD: Low Voltage Directive 2014/35 / EU,
  - EMC: Electromagnetic Compatibility Directive 2014/30 / EU,
  - RoHS: Directive on electrical and electronic scrap, banned substances 2011/65 / EU.

PRODUCT DESCRIPTION: Servo motors for mixing valves  
 APPLIED STANDARDS: EN60730-1, EN60730-2-14